

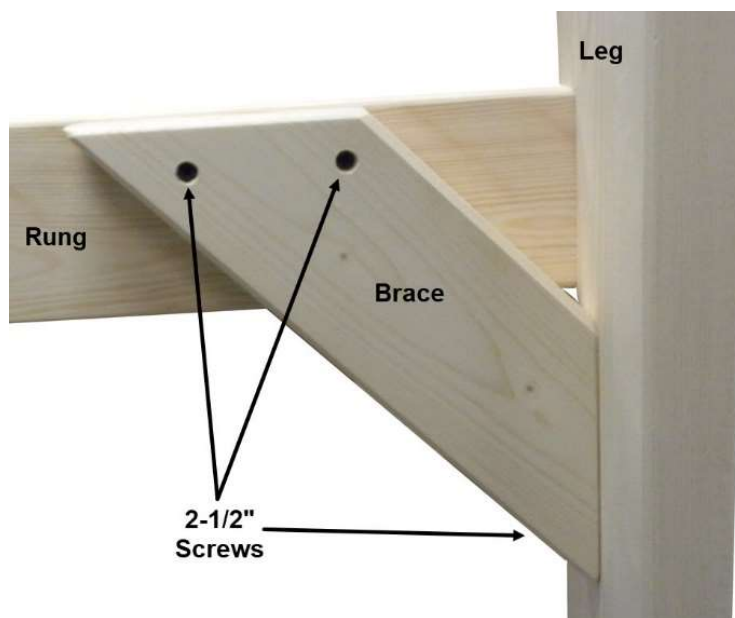
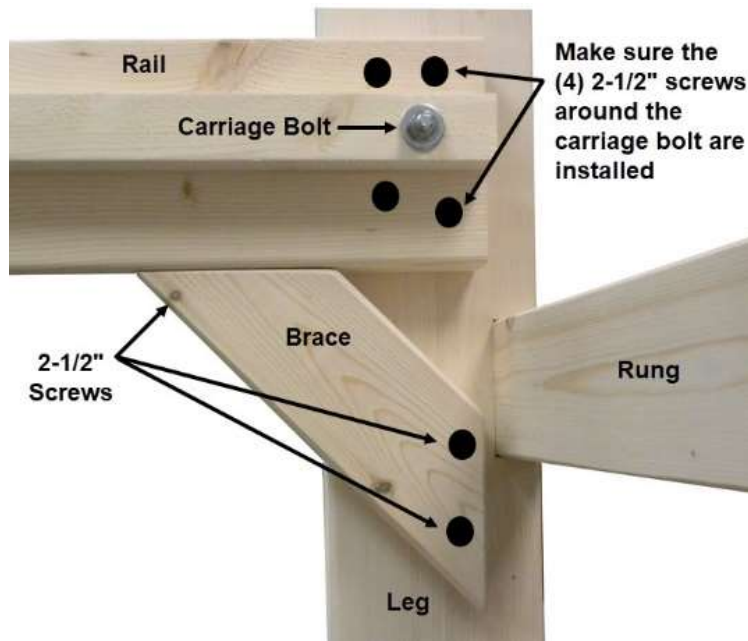
# Corner & Rung Braces Assembly Instructions

08/02/22

## For beds with built-in End Ladders

We recommend you use the bed for a few days before installing the Braces as in most cases the Braces may not be needed.

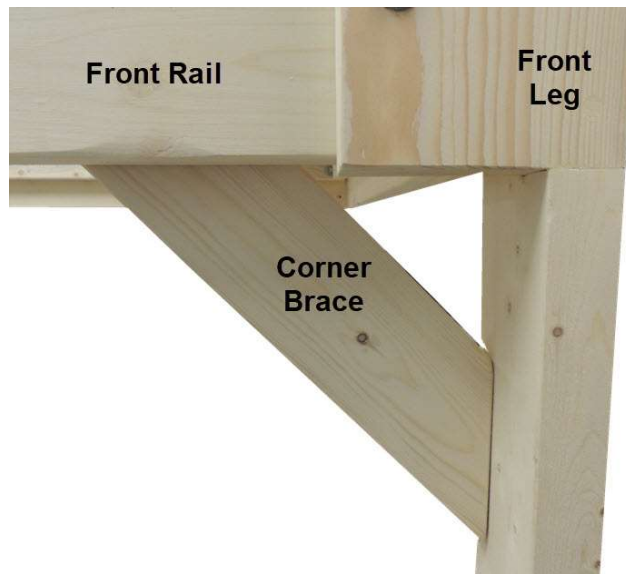
Depending on your bed's configuration and optional accessories, you may receive either four, six or eight braces. The Braces are installed with 2-1/2" screws as the last step after the bed has been completely assembled. Do not overtighten the screw that goes into the narrow edge of the brace as it could split the brace. If you have shelves they may interfere with the placement of the Brace, you may need to move the Brace to a different location to make it fit.



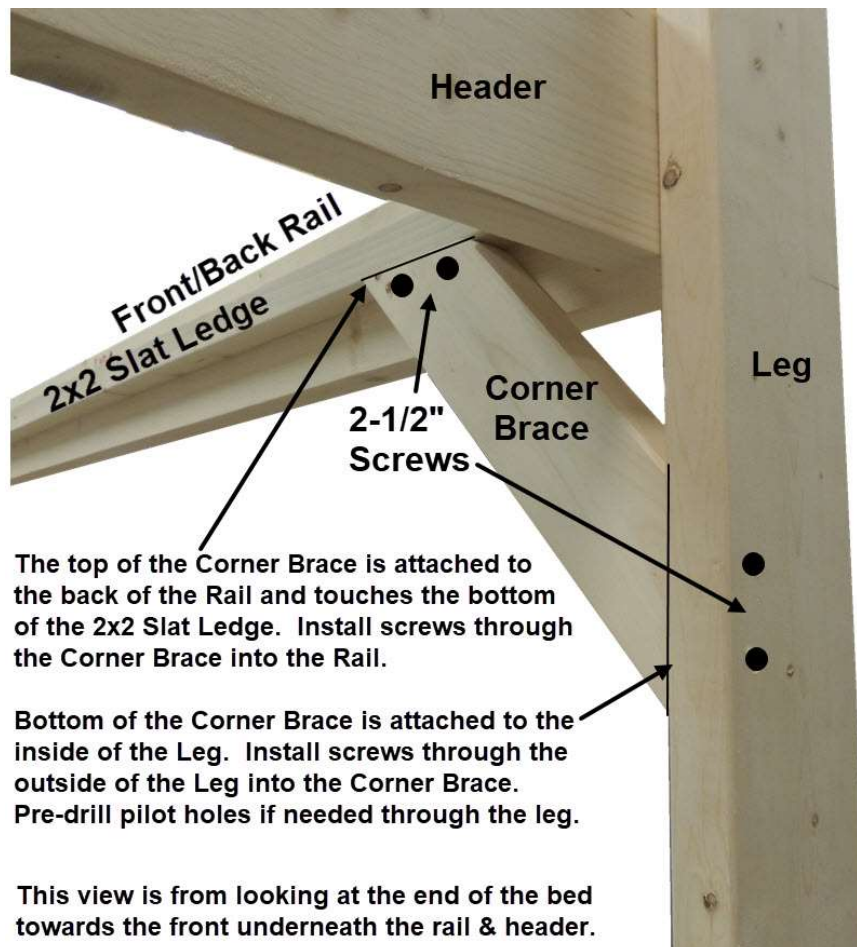
## For beds with L-Shaped Legs and Open Ends

Follow this set of instructions if you received (4) braces. They are attached to the Rails and Legs.

View of Corner Brace from the Front (long side) of the bed.



This view is from looking at the end of the bed towards the front from underneath the Rail & Header.



Follow this set of instructions if you received (8) braces for L-Shaped Legs.

The views below are from the inside of the bed looking at the back of the legs.

