

# Custom Side Platform Assembly Instructions

2/16/22

This set of instructions is for attaching the custom side platform to the Loft/Bunk Bed.

All the side platform pieces we will be labeled "platform" with their specific description. You will need (2) people to perform the assembly.

First assemble the loft/bunk bed following the standard assembly instructions.

The custom side platform is attached to the end of the loft/bunk bed and built similarly to the bed with the side platform, legs, front ladder and safety rails. There is also a middle and bottom shelf.

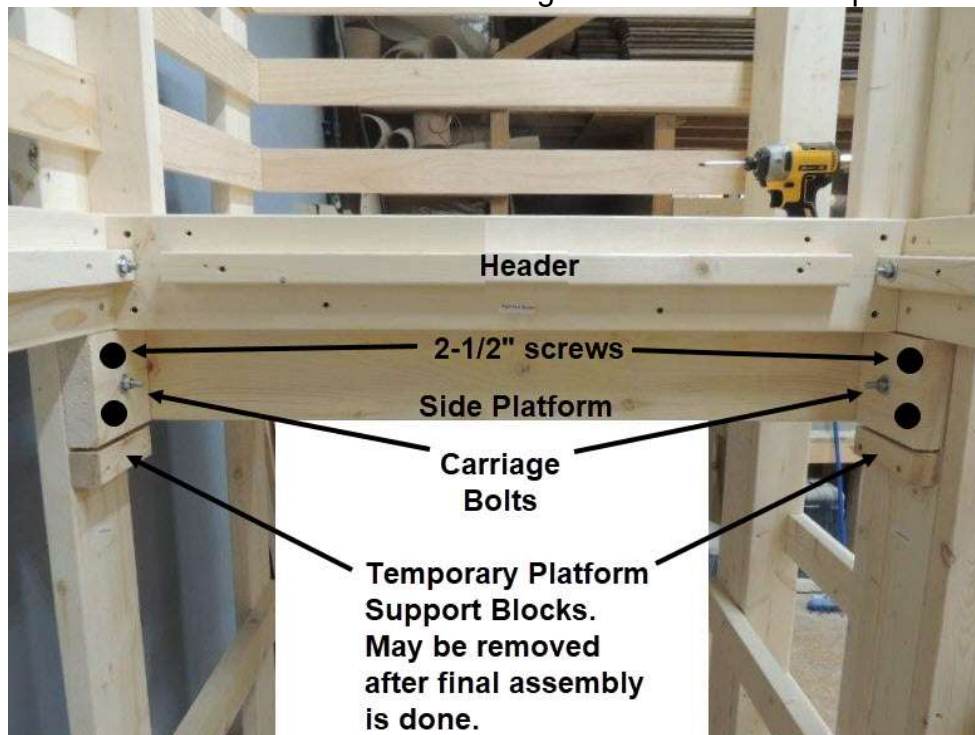
The final bed will look like the pictures below.



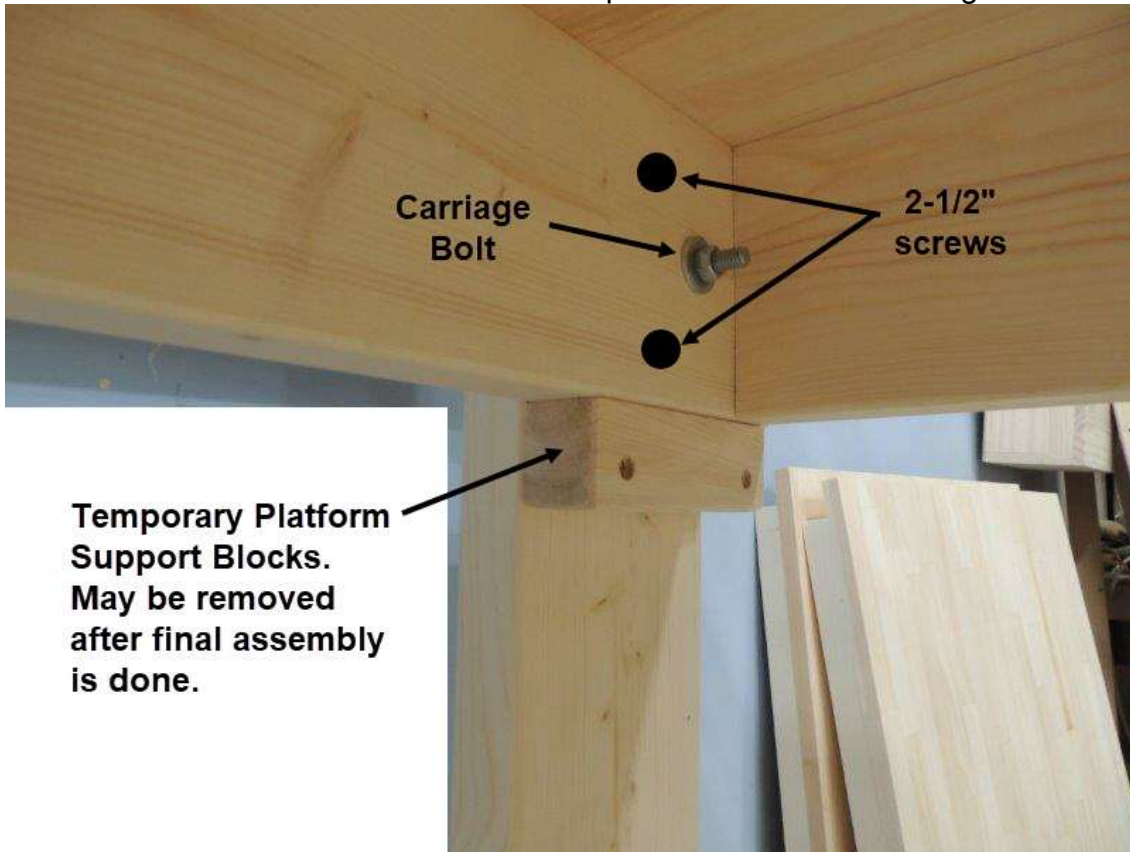


The side platform frame has been pre-assembled for you, it is heavy and will take (2) people to hold it. There are temporary support blocks on the legs to rest the Side Platform on while attaching it to the legs with the carriage bolts. They can be removed later on. Rest the side platform on the blocks. Insert the carriage bolts through the bed legs and side platform legs and attach similar to the bed attachment process. Attach 2-1/2" screws around the carriage bolts into the pilot holes through the side platform into the legs.

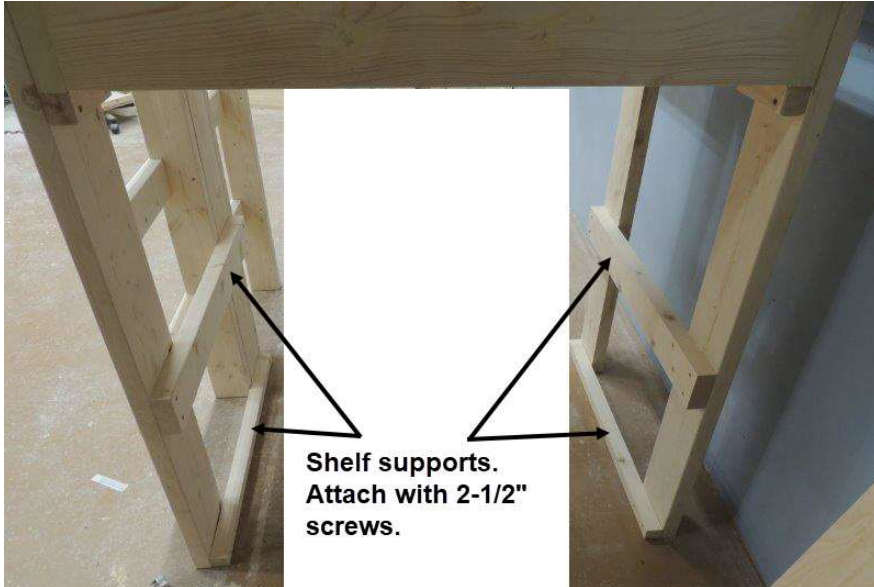
View from underneath the bed looking toward the end side platform.



This view shows the underneath side platform at the end carriage bolt.



**Temporary Platform Support Blocks. May be removed after final assembly is done.**



At this point you now have the platform and the platform legs attached to the bed.

Now build the platform front ladder and attach it to the platform similar to the bed's front ladder.

Now attach the middle and bottom shelf supports with 2-1/2" screws and then attach the shelves with 1-5/8" screws.

Now attach the safety rails with 1-5/8" screws. The end safety rails go on the outside of the end and the back safety rails go on the inside.

The bed is now complete.